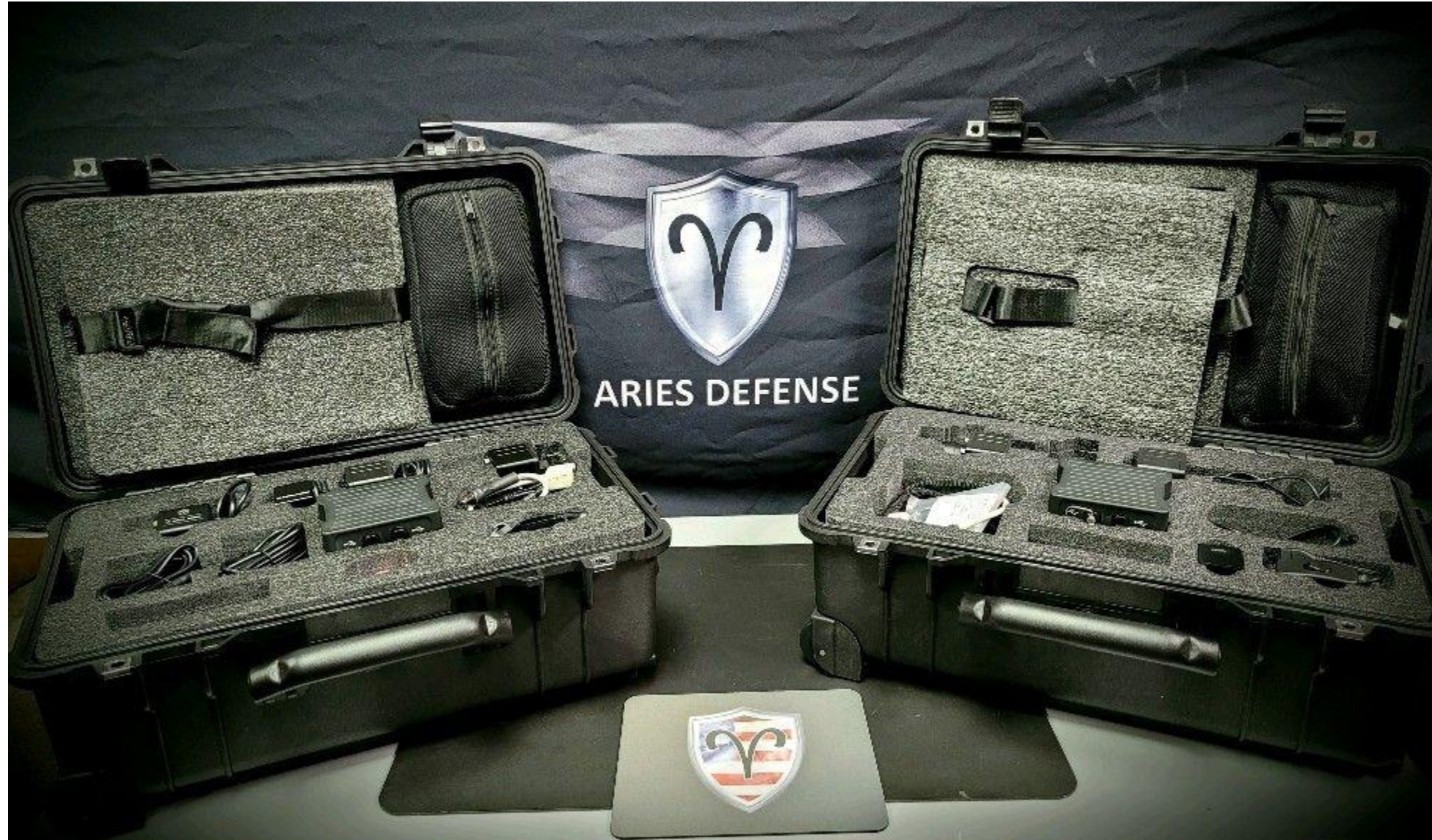


CheckPoints MIL™



System Setup Guide

Aries Defense Copyright 2023



CheckPoints™ - Overview

CheckPoints™ provides persistent video surveillance at the tactical edge. Networked to allow for local Wi-Fi connections or Wi-Fi disabled to provide video through a closed network or encrypted tactical radio connection.

CheckPoints™ will give users a “live” view of their position from a fixed location.

CheckPoints™ allows users to stream up to (2) video feeds through Mobile, Tactical & Command Post systems.

CheckPoints™ is a low-voltage capability designed for extended operations. The system provides automatic network routing for rapid deployment and ease of use. There is no configuration required and the tool has successfully integrated with APASS & KILSWITCH





Checkpoints™ - Overview



USB Camera Ports



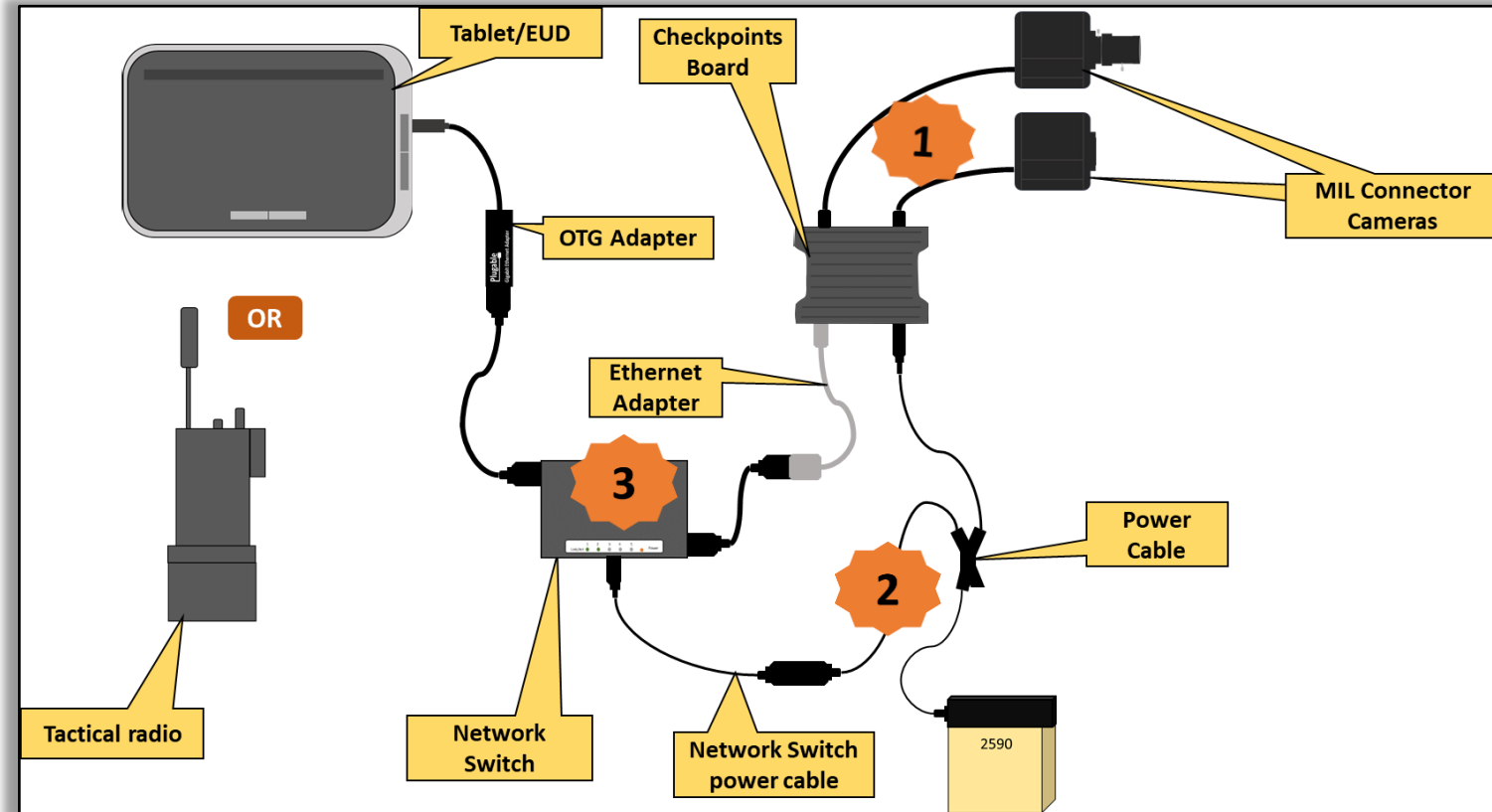
Ethernet

Power

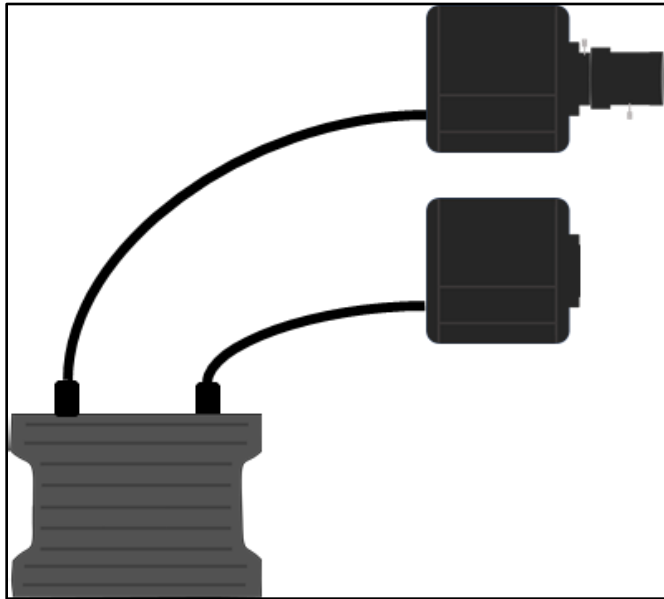


CheckPoints™ - Configuration Guide

- 1 Camera Setup:** Connect the MIL connector Cameras (or USB Cameras). Then, plug the Camera Cables into the CheckPoints USB Ports.
- 2 Power Setup:** Connect the 2590 Battery into the charging cable. Then connect one cable to the CheckPoints Board (the other one is saved for the network switch).
- 3 Ethernet Setup:** Plug the ethernet adapter into the CheckPoints Board then plug an ethernet cable on the other side. Attach the other end of the ethernet cable into the network switch. Connect another Ethernet Cable into the Network Switch (Port 1-4) and plug the other end into an OTG Adapter (Micro or USB C). Finally Plug the OTG Adapter into the EUD.

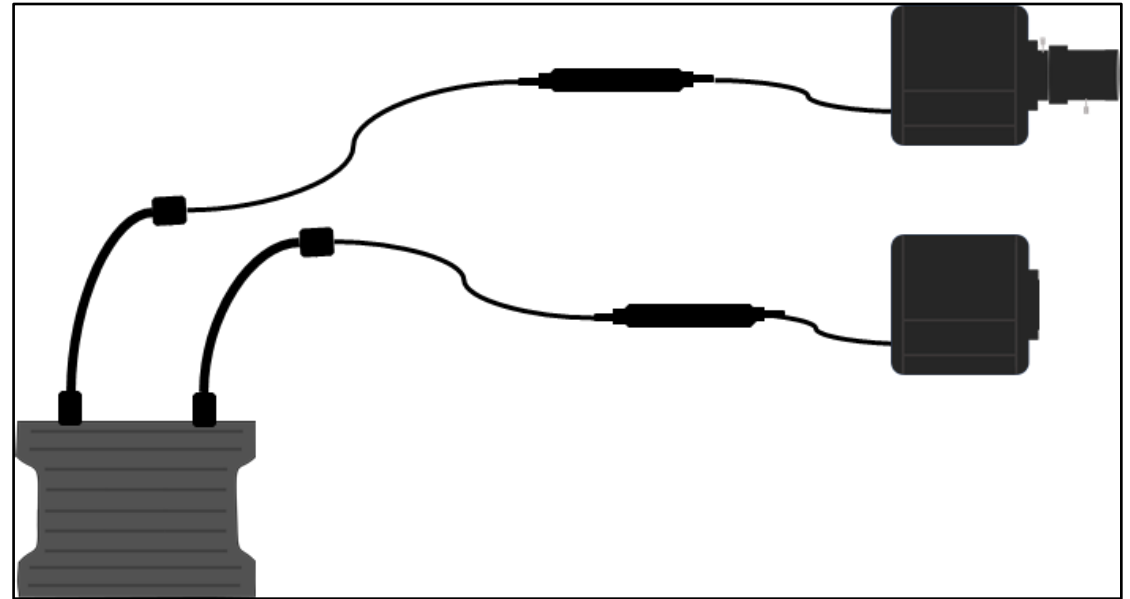


CheckPoints™ - Camera Setup



MIL Connector
Cameras

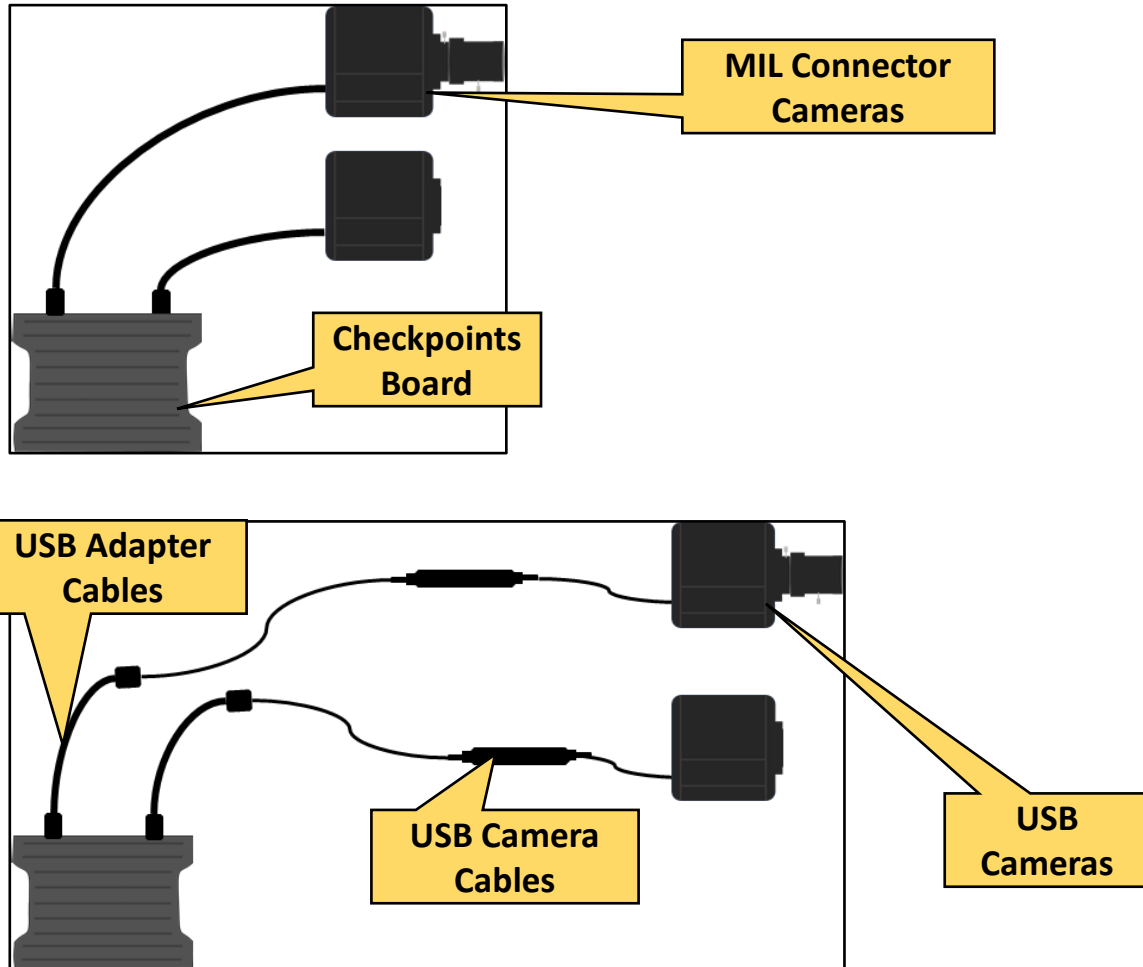
OR



USB Connector
Cameras



CheckPoints™ - Camera Setup



What you will need

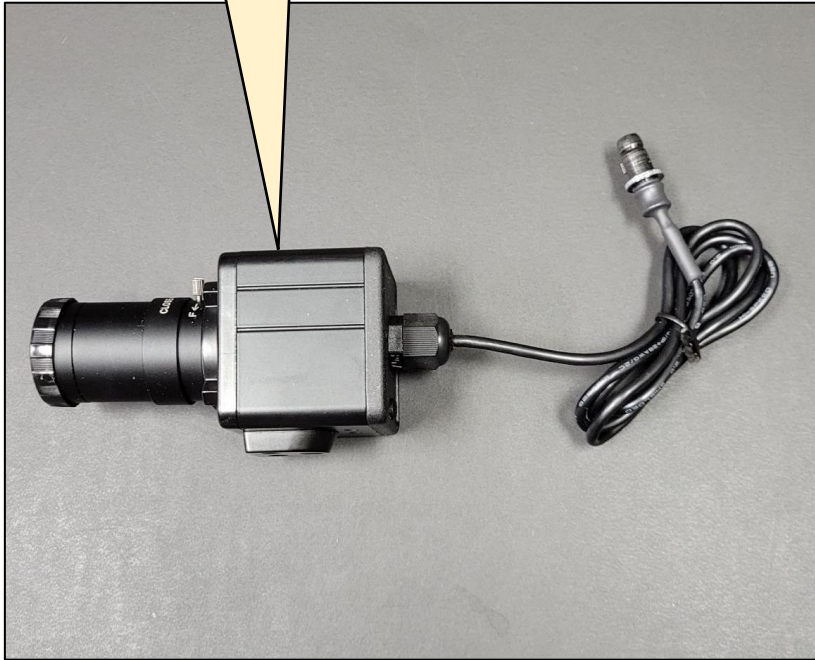
Pelican Case

Item	Quantity
CheckPoints™ CPU	1
5-50mm Camera (MIL)	1
Boson IR Camera (MIL)	1
4mm Camera (USB)	1
180mm Camera (USB)	1
USB Adapter Cables	2
USB Camera Cables	2



CheckPoints™ - Camera Setup - MIL Connector Cameras

5-50 Camera



FLIR Boson Camera

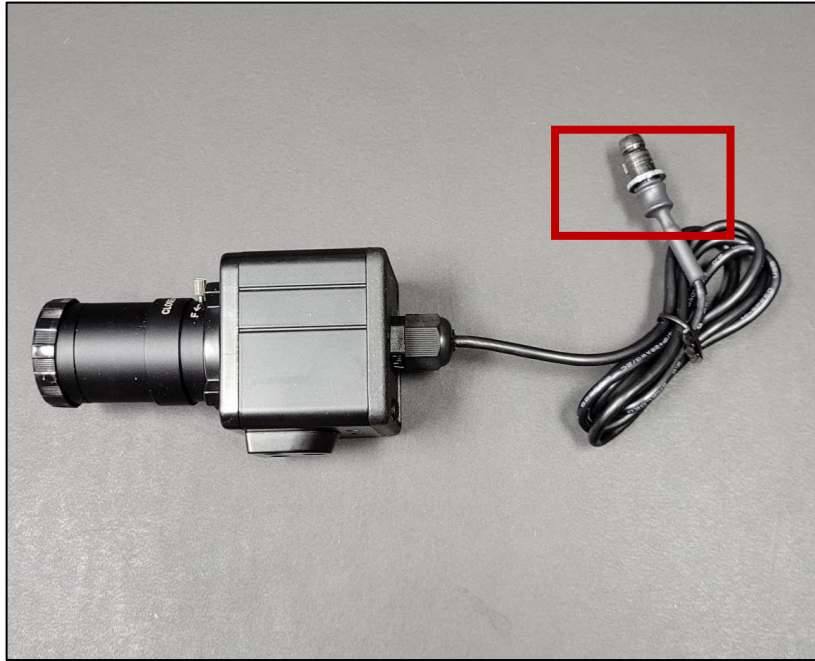


CheckPoints™

Note: You can Combine MIL Connector and USB Cameras.



CheckPoints™ - Camera Setup - MIL Connector Cameras



Connect the Cameras to the USB Port on the Checkpoints Board.



CheckPoints™ - Camera Setup - USB Cameras

4mm Camera



180° Fisheye Camera



CheckPoints™



USB Camera Cables



USB Adapter Cables

Note: You can Combine MIL Connector and USB Cameras.



CheckPoints™ - Camera Setup - USB Cameras



Step 1:

Connect the USB Camera Cable to the USB Adapter Cable.



Step 2:

Plug the Camera Cable into the USB Camera Cable.



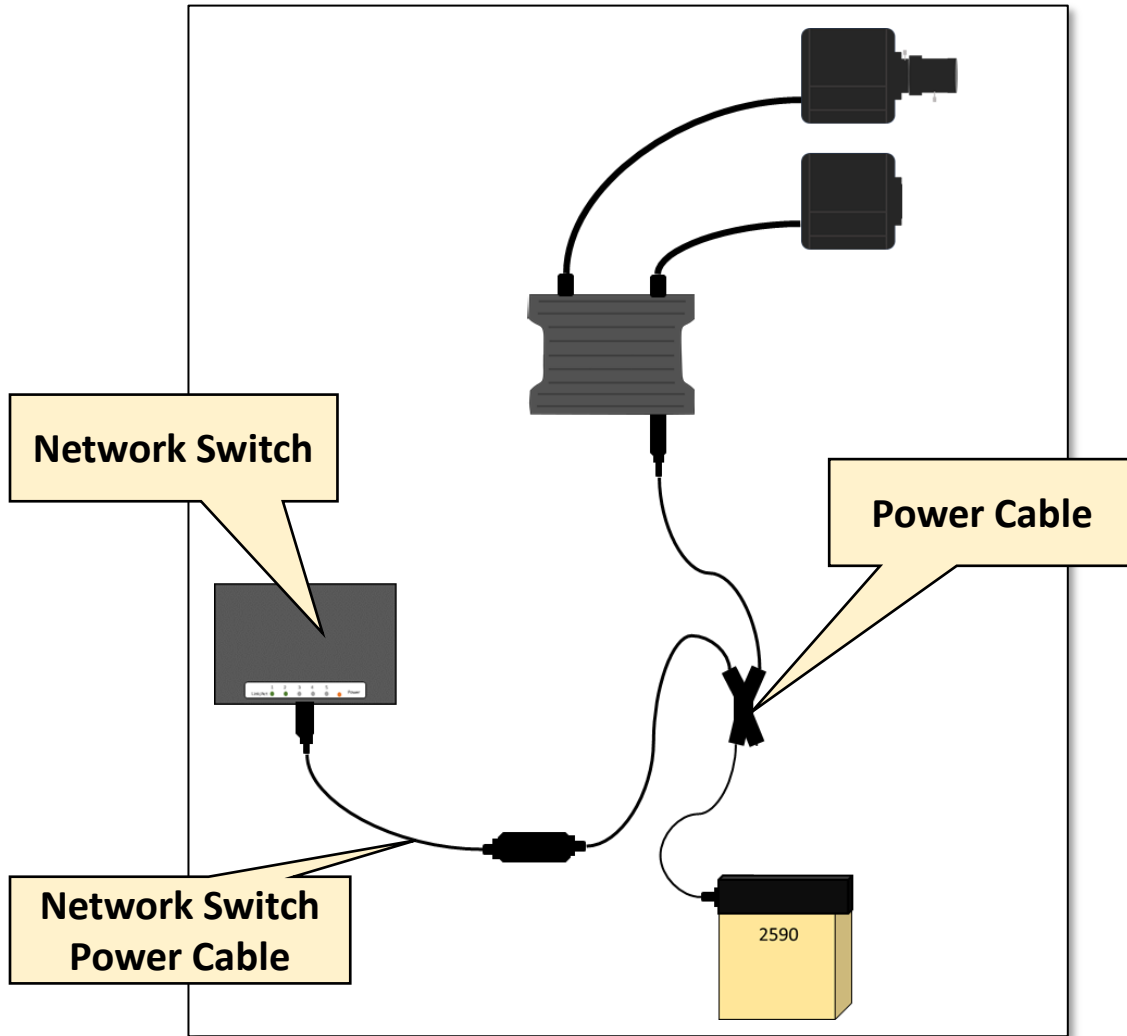
CheckPoints™ - Camera Setup – USB Cameras cont.



Connect the USB Adapter to the Checkpoints Board.



CheckPoints™ - CheckPoints Power Setup



What you will need

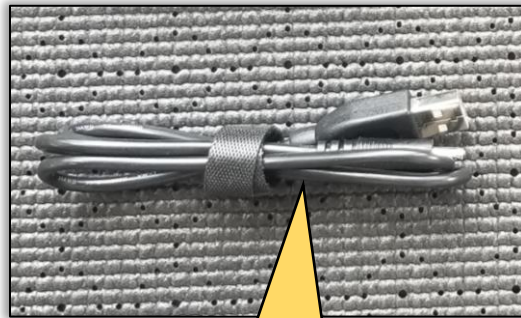
Pelican Case

Item	Quantity
Power Cable	1
2590 Battery	1
Network Switch	1
Network Switch Power Cable	1



CheckPoints™ - CheckPoints Power Setup

Network Switch

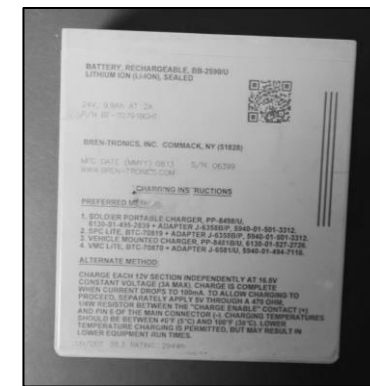


Network Switch
Power Cable



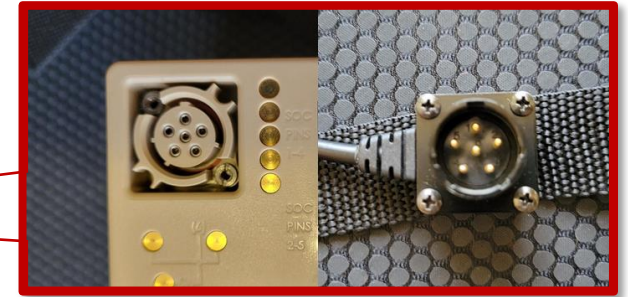
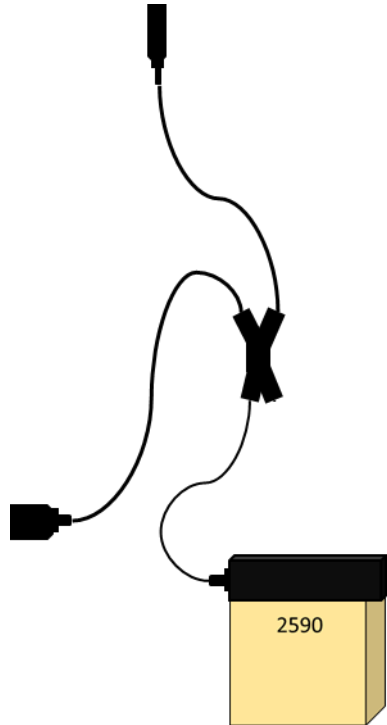
Power Cable
(Alternative Dual battery
cable pictured here)

2590 Battery





CheckPoints™ - CheckPoints Power Setup

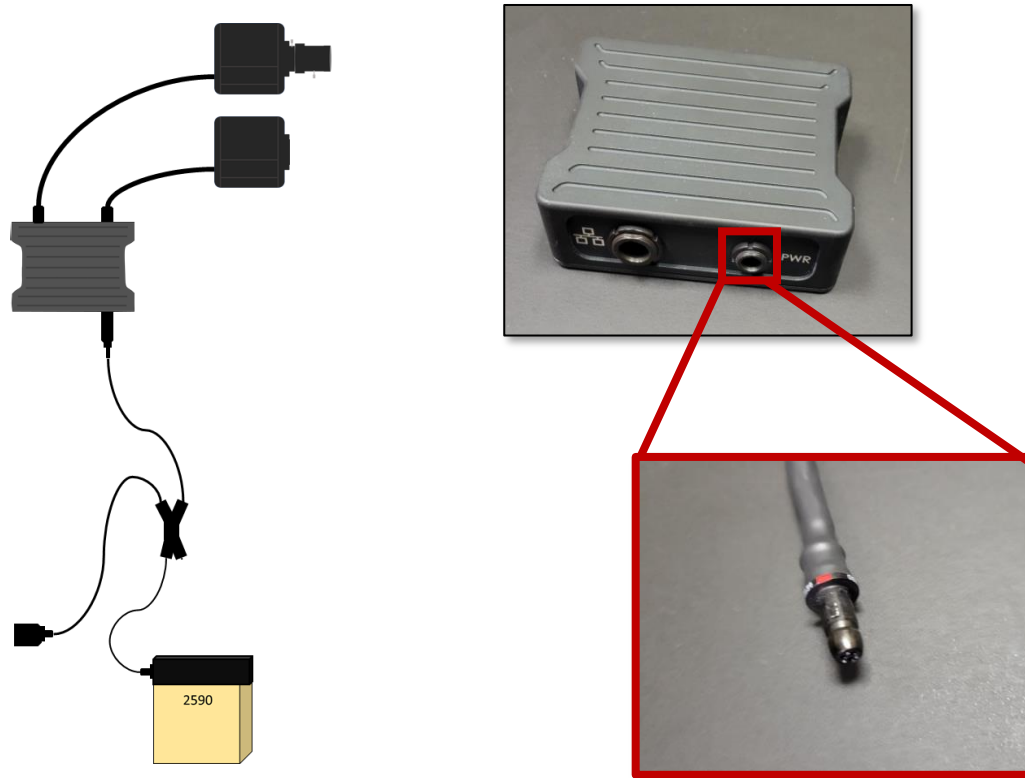


Step 1:

Connect the 2590 to the power cable. Make sure the notches line up.

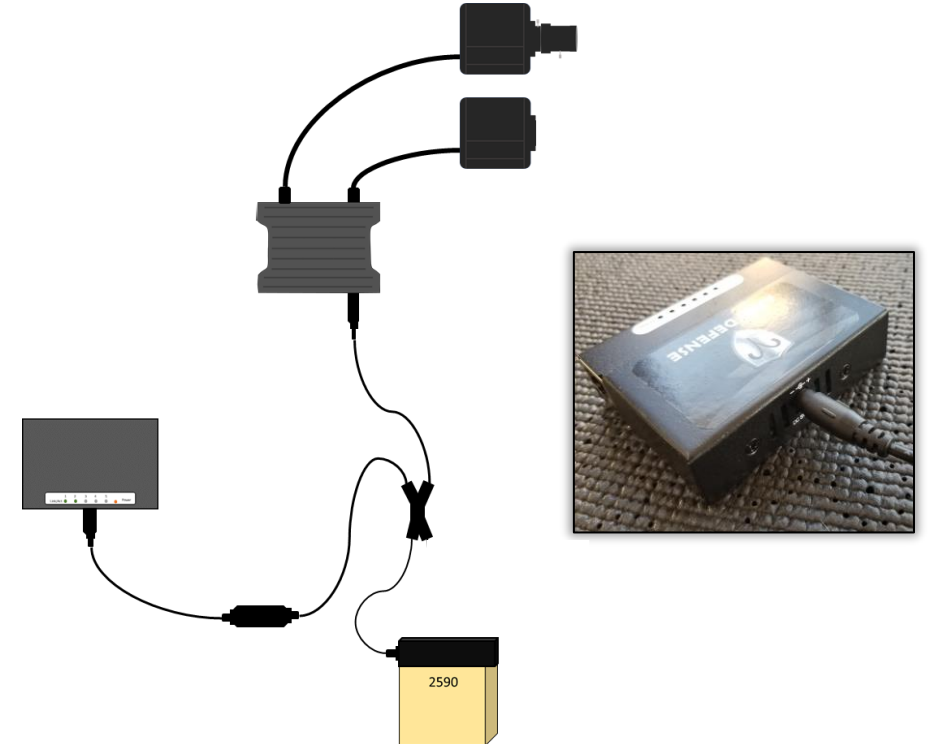


CheckPoints™ - CheckPoints Power Setup



Step 2:

Plug the power Cable into the Checkpoints Board.

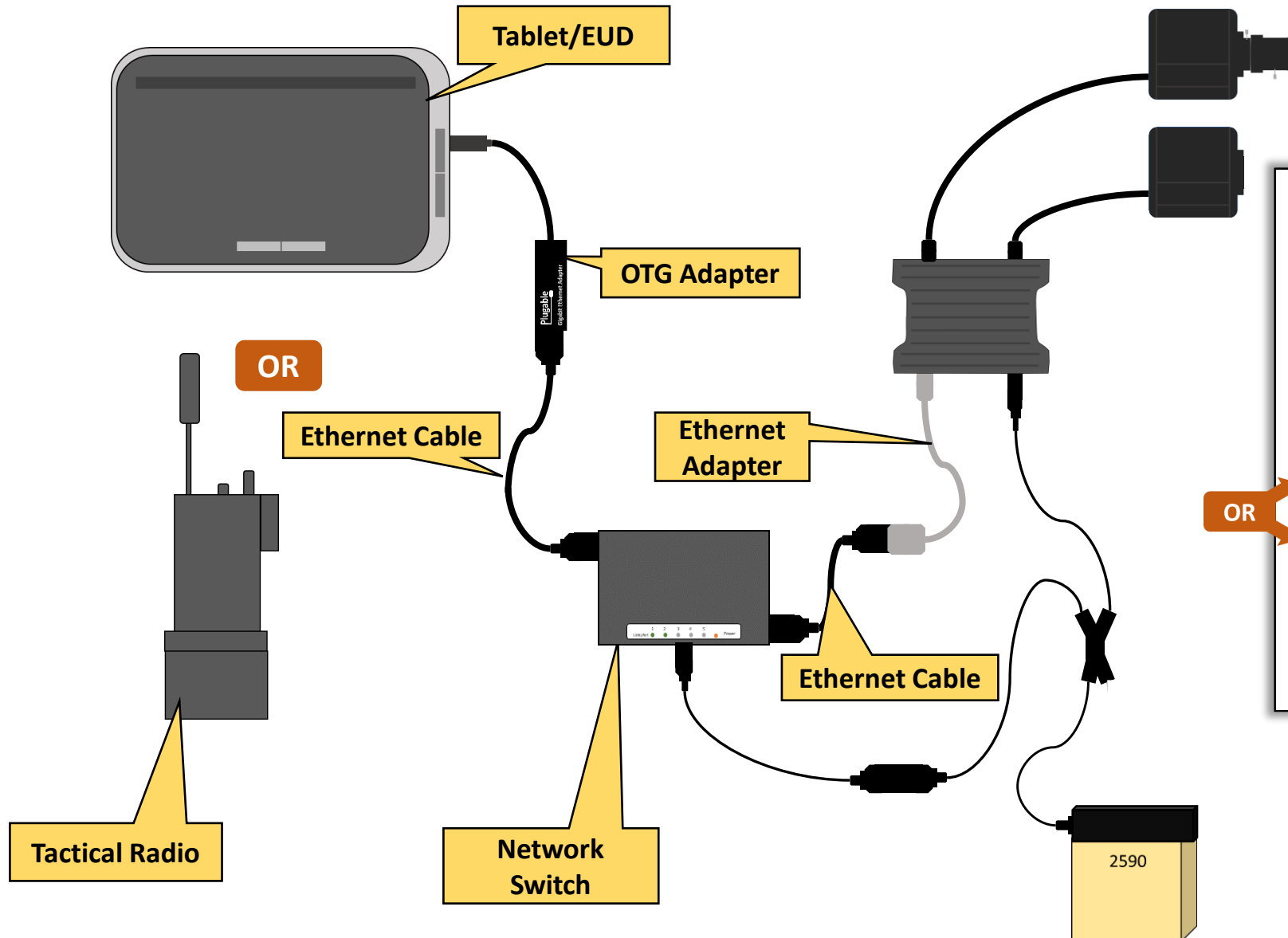


Step 3:

Connect the Network Switch Power Cable to the Network Switch. After plug the other end into the main power cable.



CheckPoints™ - Ethernet Setup

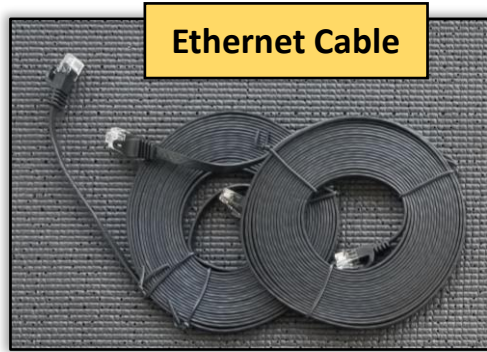


What you will need

Item	Quantity
Tablet EUD	1
Tactical Radio	1
USB C to ethernet OTG Dongle	1
Micro USB to Ethernet OTG Dongle	1
Assorted ethernet cables	
Ethernet Adapter	1



CheckPoints™ - Ethernet Setup



Ethernet Cable

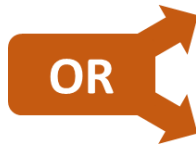


Tablet

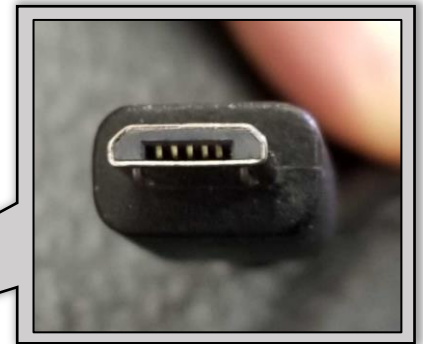
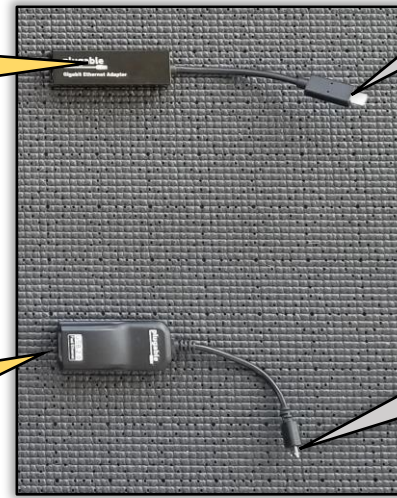


Ethernet Adapter Cable

USB-C Ethernet On the Go (OTG) Adapter0

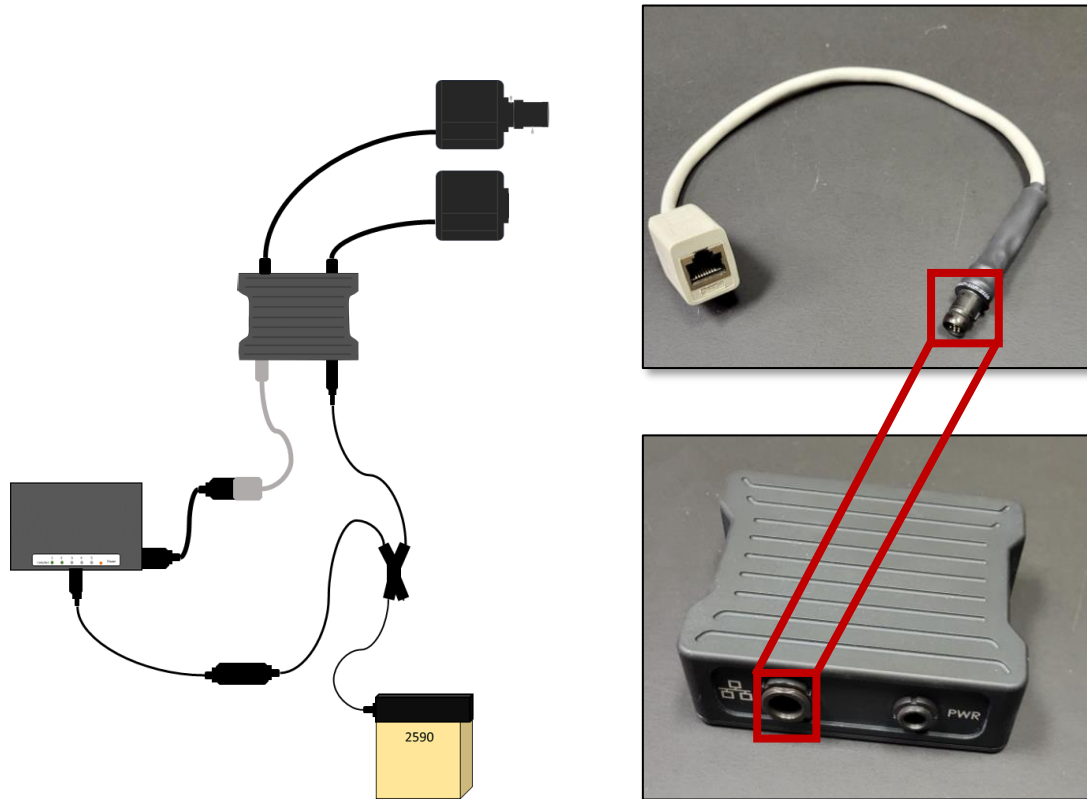


Micro USB Ethernet On the Go (OTG) Adapter





CheckPoints™ - Ethernet Setup



Step 1:

Plug the Ethernet adapter into the Checkpoints board.

Step 2:

Connect the Ethernet Adapter to the network switch with an ethernet cable.



CheckPoints™ - Ethernet Setup



Step 3:

Plug an Ethernet Cable into the OTG Dongle.

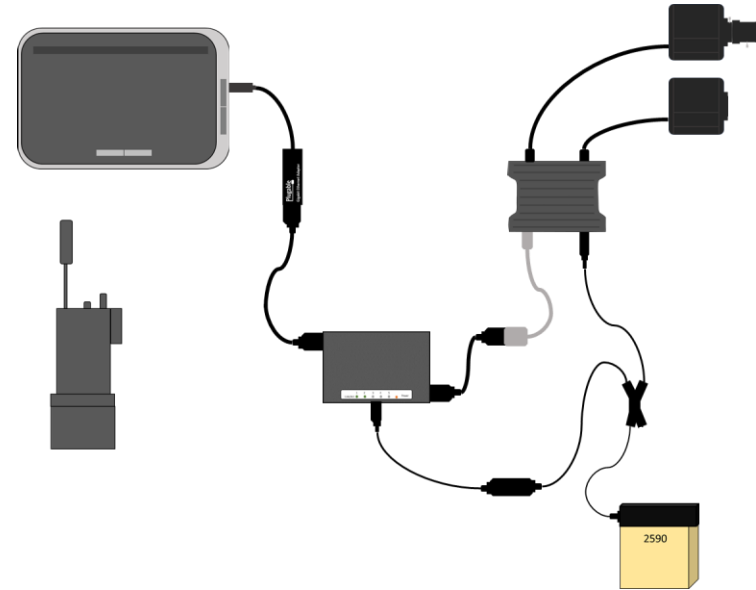


Step 4:

Plug the OTG Dongle into the EUD.



CheckPoints™ - Ethernet Setup



Step 5:

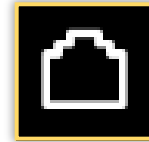
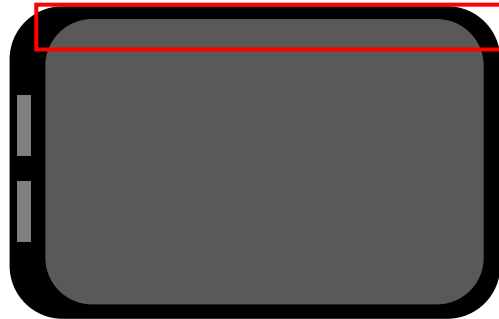
Connect the Ethernet Cable into the Network Switch (Port 1 -4).

Step 6:

Proceed to the Final Check.



CheckPoints™ - Ethernet Setup



This icon indicates the tablet/EUD detects a network connection



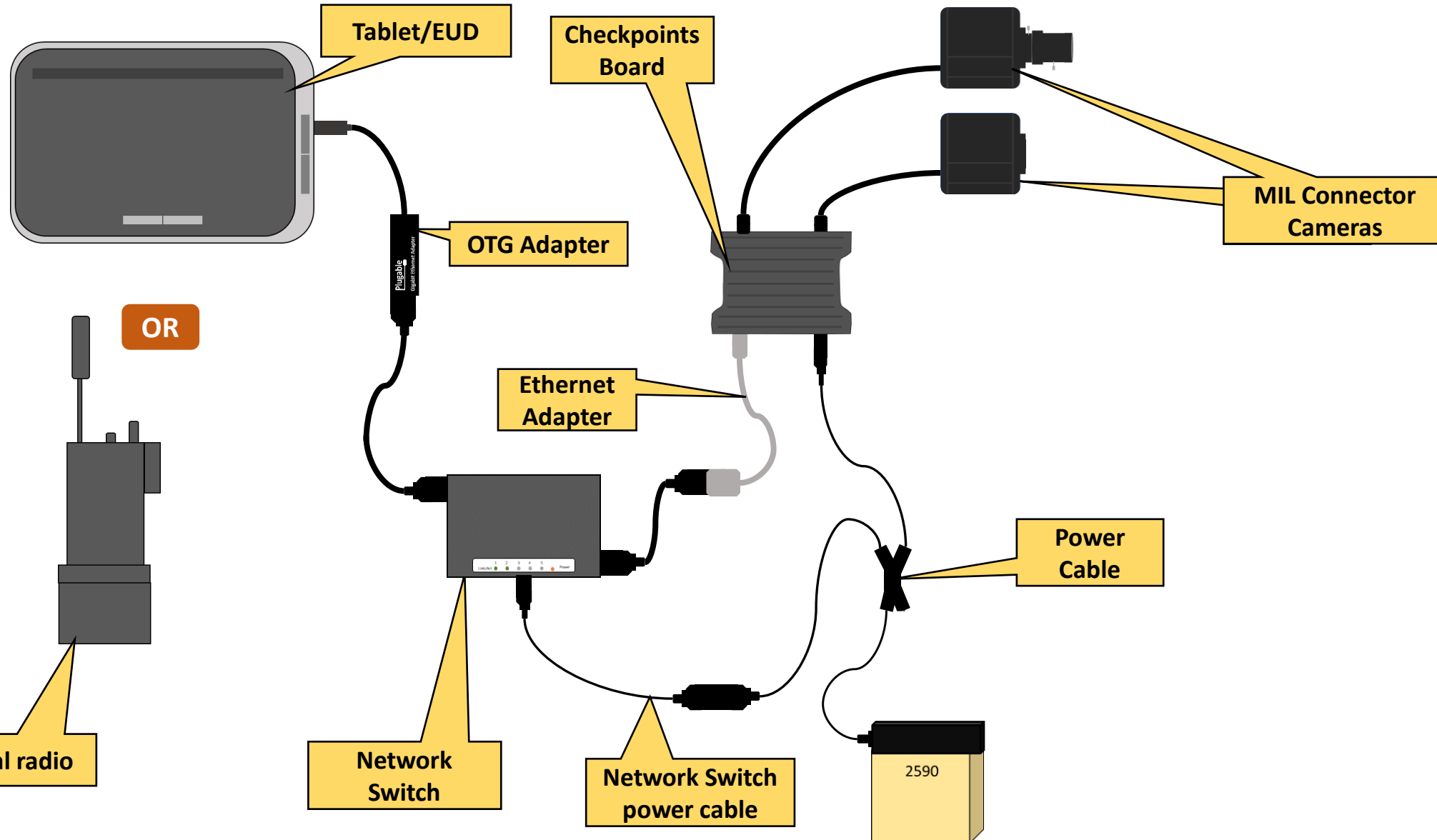
This icon indicates the tablet/EUD is receiving an IP address from the CheckPoints System

Final Check:

Ensure your device is receiving a DHCP Connection to the CheckPoints Board. At the top of the device you will notice 2 ethernet icons

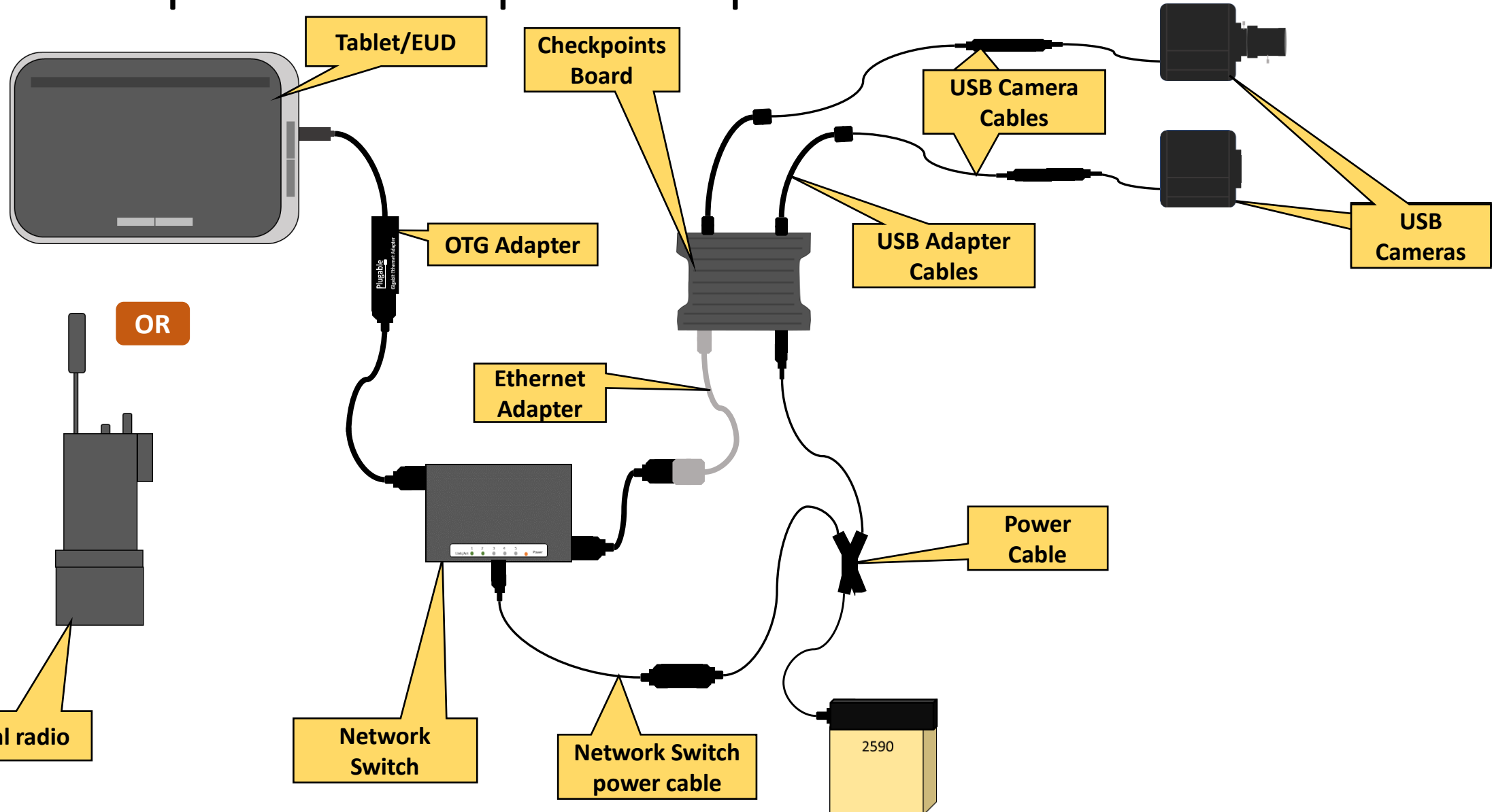


Checkpoints™ - Complete Setup – MIL Connector Cameras



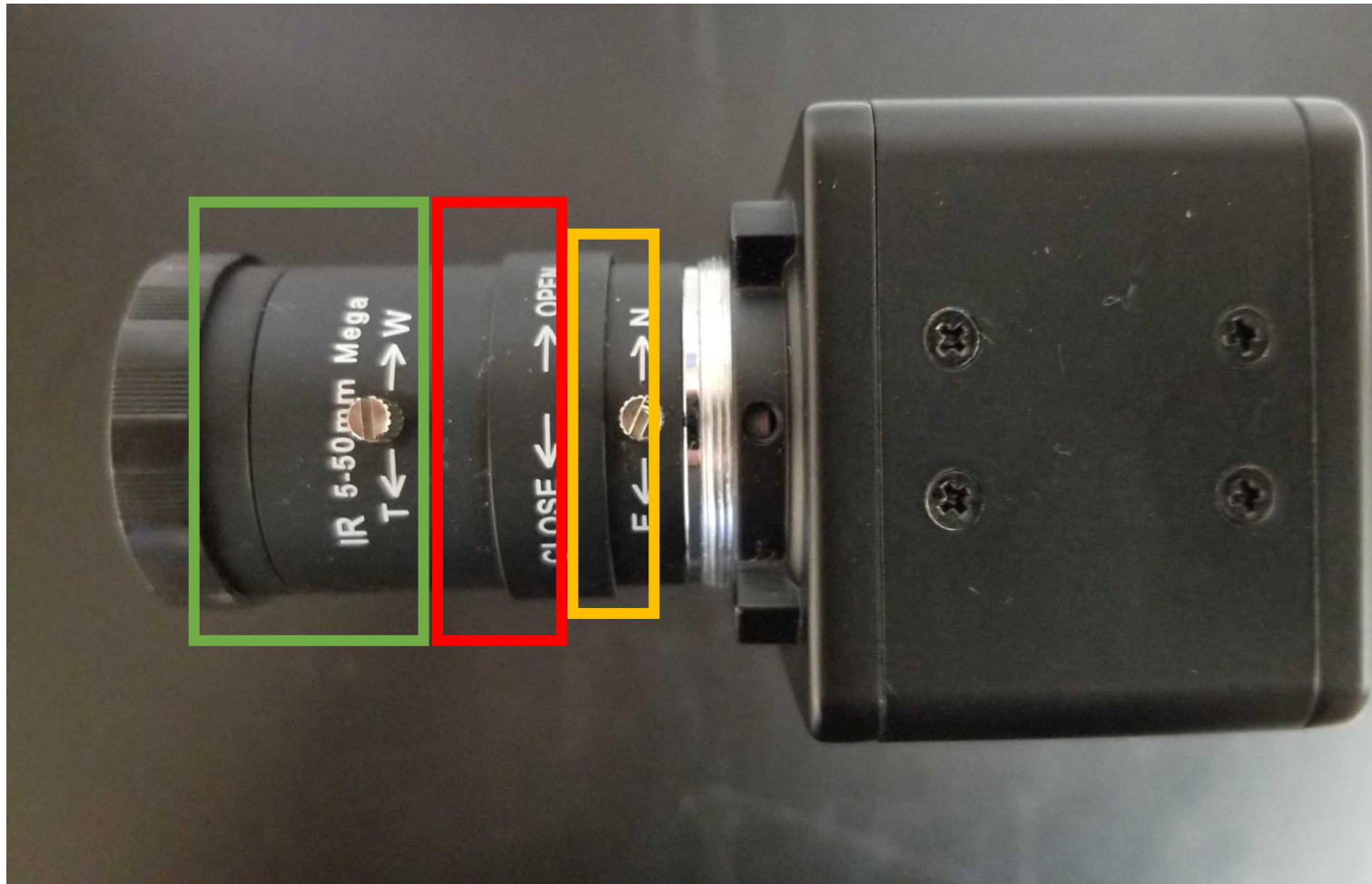


Checkpoints™ - Complete Setup – USB Connector Cameras





Adjust Camera Settings



Zoom In / Out

1. Gently loosen the screw for the T/W section of the camera lens.
2. Gently twist the T/W section to zoom in (T) / zoom out (W).
3. Tighten screw when finished.

Adjust Light Aperture

1. Gently twist the CLOSE/OPEN section to allow more or less light into the camera.

Far / Near Focus

1. Gently loosen the screw for the F/N section of the camera lens.
2. Gently twist the F N section to focus (F) for far objects and (N) for near.
3. Tighten screw when finished.



Aries Defense